

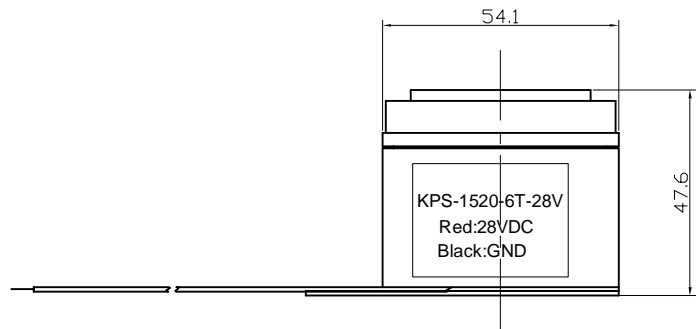
1 2 3 4 5 6 7 8

A

A

B

B



# SPECIFICATION

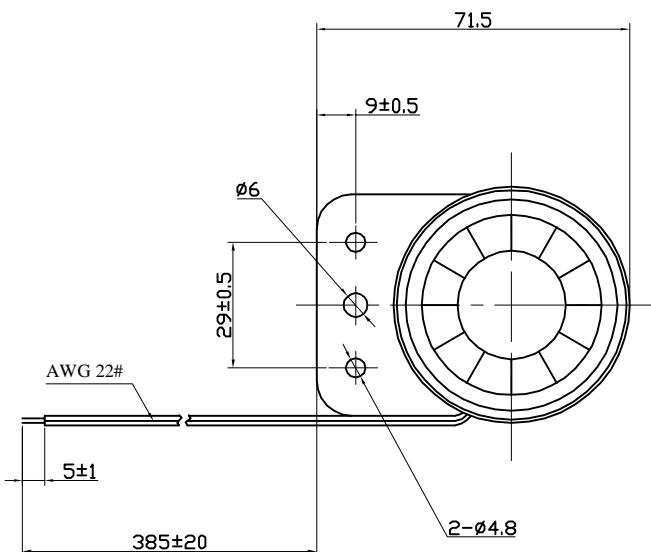
- 1. Rated Voltage .....28VDC
- 2. Operating Voltage .....18~30VDC
- 3. Max. Rated Current .....250mA/28VDC
- 4. Min. Sound Pressure Level.....100dB/100cm/28VDC
- 5. Tone Nature .....6Tone
- 6. Case Material .....ABS
- 7. Operating Temperature .....-20~+60°C
- 8. Store Temperature .....-30~+65°C
- 9. Weight .....80g

C

C

D

D



E

E

F

F

				<b>KEPO</b> NINGBO KEPO ELECTRONIC CO.,LTD <a href="http://www.chinaacoustic.com">http://www.chinaacoustic.com</a>	
				<b>Electronic siren</b>	
				<b>KPS-1520-6T-28V</b>	
No.	DESCRIPTION	APPROVED	DATE		
TOLERANCES UNLESS NOTED OTHERWISE: X ± XX ± XXX ± 90° FORMED +2° ANGLES -1°		APPROVALS		DATE	
FIRST ANGLE PROJECTION		DRAWN		UNIT	
		CHECKED		mm	
		APPROVED		DWG NO. KP3.842.494.01	
		07.04.06		SCALE NOT TO SCALE	
				SHEET	
				VER 1.1	

1 2 3 4 5 6 7 8